

## Technical Information

No. FO 4304

Edition: 11/04 - subject to change

Substitutes: 08/04

Status: valid



Metal Halide Lamp

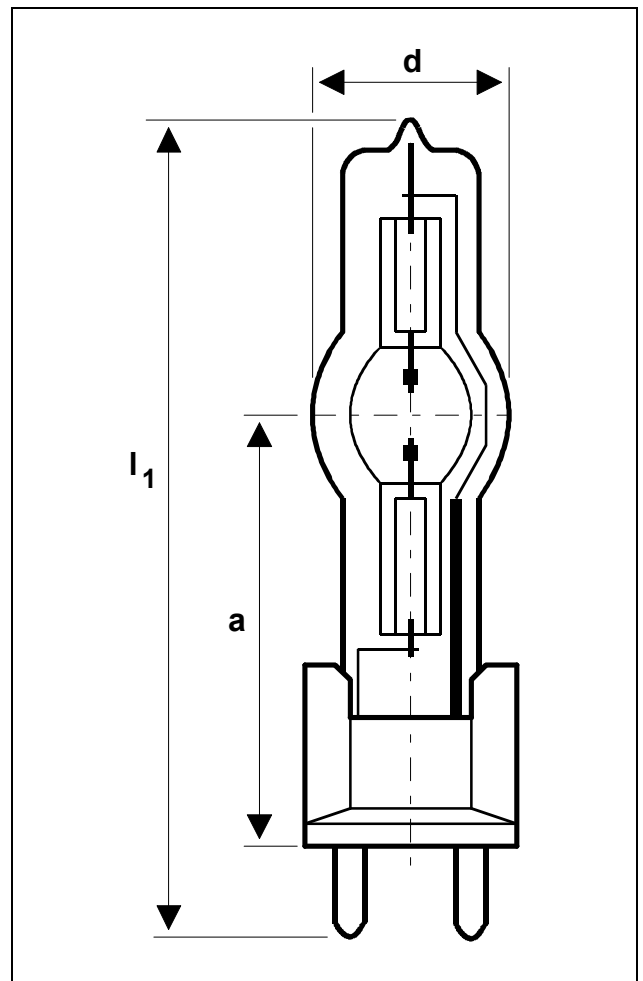
# HMI<sup>®</sup> 4000 W/SE

### ■ Product description

The OSRAM HMI<sup>®</sup> 4000 W/SE is a single-ended metal halide lamp with outer jacket. Featuring OSRAM's eXtreme-Seal Technology, the lamp stands pinch temperatures up to 450°C now. This lamp type is mainly used in film and TV lighting, for stage, show and industrial solar simulation.

### ■ Technical data

Order reference	HMI <sup>®</sup> 4000 W/SE	
Rated lamp wattage	W	4,000
Rated lamp voltage	V	200
Rated lamp current (~)	A	24
Ignition voltage (cold / hot)	kV <sub>s</sub>	5 / 50...60
Luminous flux	lm	380,000
Luminous efficacy	lm/W	95
Color temperature	K	6,000
Color rendering index	Ra	> 90
Electrode gap e	mm	23,5
Lamp length (overall) l <sub>1</sub>	mm	max. 250
Bulb diameter d	mm	max. 75
LCL a	mm	142
Average service life	h	500
Base	G38	



### ■ Lamp operation

Maximum pinch seal temperature allowed	°C	450 / with eXtreme Seal Technology (measured at welding point)
--	----	--

Cooling	Convection
---------	------------

Burning position	any
------------------	-----

The HMI<sup>®</sup> 4000 W/SE can either be operated on standard ballasts or on electronic power supplies (ECG).

### ■ Manufacturers of igniters and control gear (not all officially approved by OSRAM)

Igniters: I.R.E.M. AD-3065, sAD-3065; Bauch 276, 940

Ballasts: ARRI 4000 CB, 4000 CB DMX; I.R.E.M. BC-4000; LTM 501 701; Lumo UB 4 KW, 510-054; May & Christe 1105.1250.005, 1105.2305.003; RDS BU-4000 EP; Strand 65 209 750

ECGs: ARRI 2.5/4kW EB, 2.5/4kW EB DMX, ; B&S EB 4000C; DE SISTI DEB 4000; I.R.E.M. EB-4000, sEB-4000; LTM 501 530; Sansha SG-4000, Super 4KW; Strand 65 209 760; Lightmaker T.L. 4000

Further information on operating and control gear requirements is available with the OSRAM brochure "Guidelines for Control Gear and Igniters - Metal Halide Lamps Photo Optics", order reference 123T01E.